

GENERAL

C00010 - STANDARD GIRT ORIENTATION DETAIL

C00020 - SHEETING ANGLE DETAIL

C00040 - BASE MEMBER DETAIL

C00010 - STANDARD GIRT ORIENTATION DETAIL

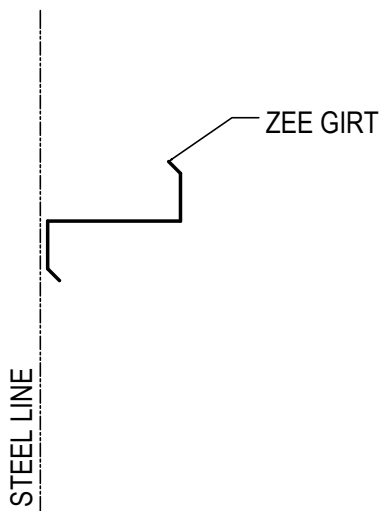
[Download the DWG file by clicking here.](#)

ERECTOR NOTE:

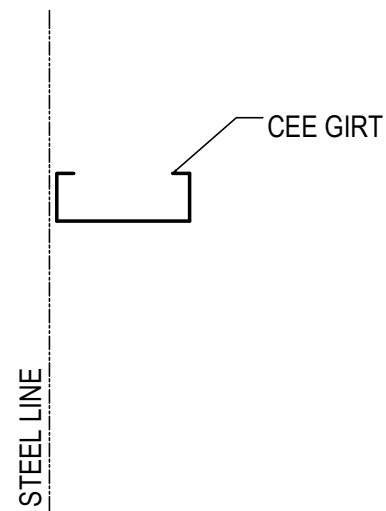
UNLESS SPECIFICALLY NOTED OTHERWISE, STANDARD ZEE GIRT ORIENTATION IS TO HAVE THE GIRT TOED DOWN AT THE STEEL LINE AS SHOWN IN THE DETAIL BELOW.

UNLESS SPECIFICALLY NOTED OTHERWISE, STANDARD CEE GIRT ORIENTATION IS TO HAVE THE GIRT TOED UP AS SHOWN IN THE DETAIL BELOW. STANDARD CLIP ATTACHMENT IS BELOW THE GIRT, HOWEVER SOME DETAILS REQUIRE THAT THE CLIP BE ABOVE THE GIRT OR THAT THE GIRT BE TOED DOWN.

(REFER TO THE GIRT DETAILS FOR SPECIFIC CONNECTION REQUIREMENTS).



ZEE GIRT ORIENTATION



CEE GIRT ORIENTATION

STANDARD GIRT ORIENTATION DETAIL

SEE GIRT DETAILS FOR GIRT CONNECTIONS
(COLUMNS NOT SHOWN)

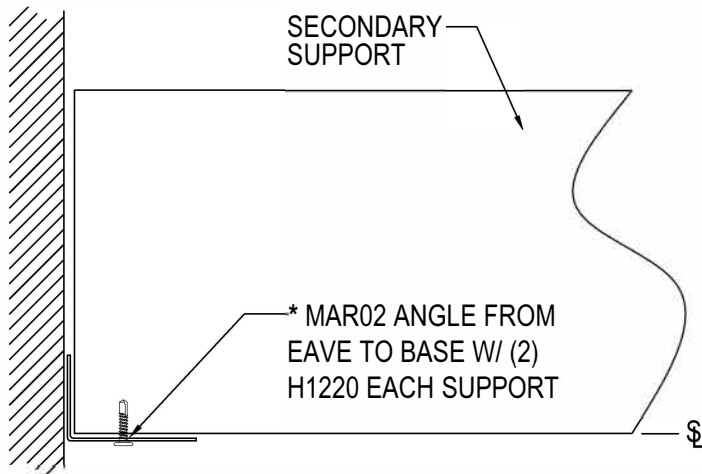
C00010

Detailer Notes:

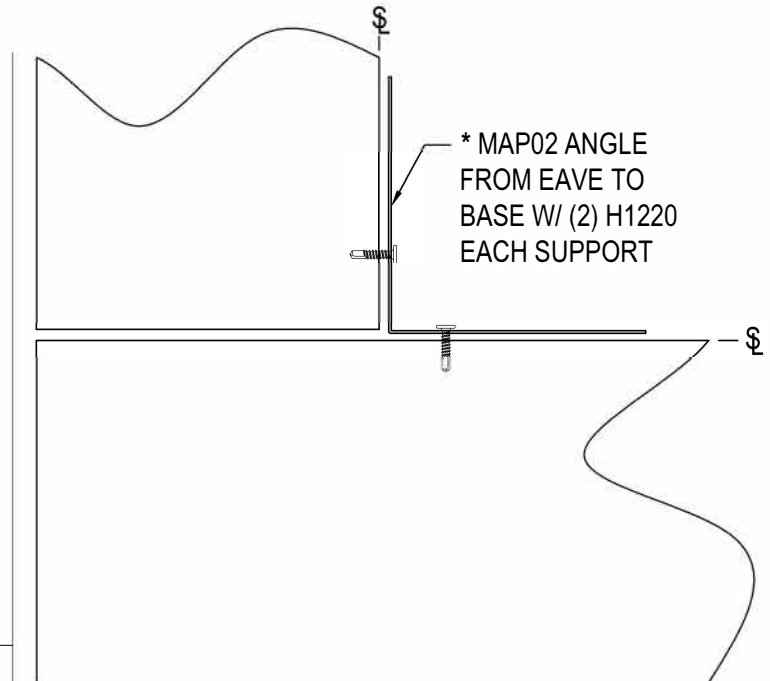
1) N/A

C00020 - SHEETING ANGLE DETAIL

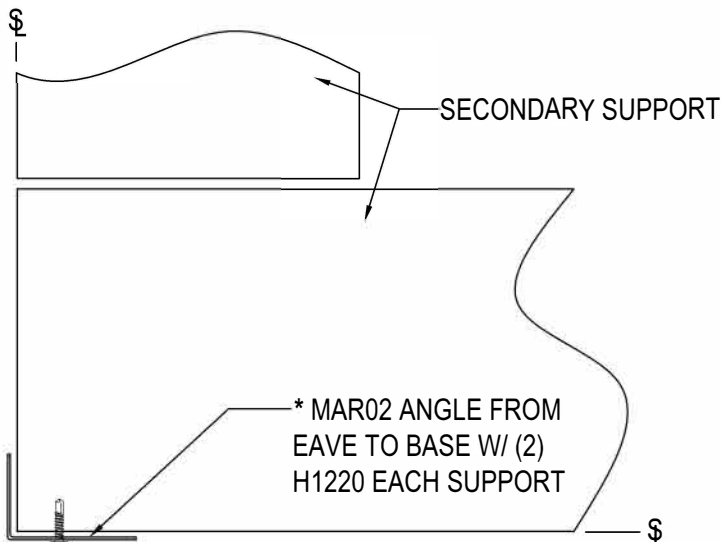
[Download the DWG file by clicking here.](#)



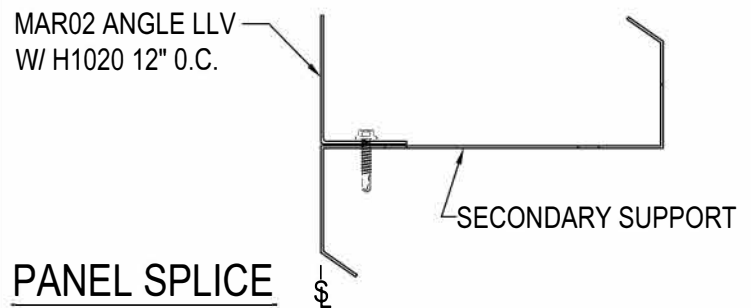
TERMINATION AT WALL



INSIDE CORNER



OUTSIDE CORNER



PANEL SPLICE

*** ERECTOR NOTE:**
SEE CORRESPONDING SHEETING DETAIL(S) FOR TRIM ATTACHMENT TO ANGLE, PRIOR TO ATTACHING ANGLES TO SECONDARY.

SHEETING ANGLE DETAIL

PRE-DRILL AS REQUIRED

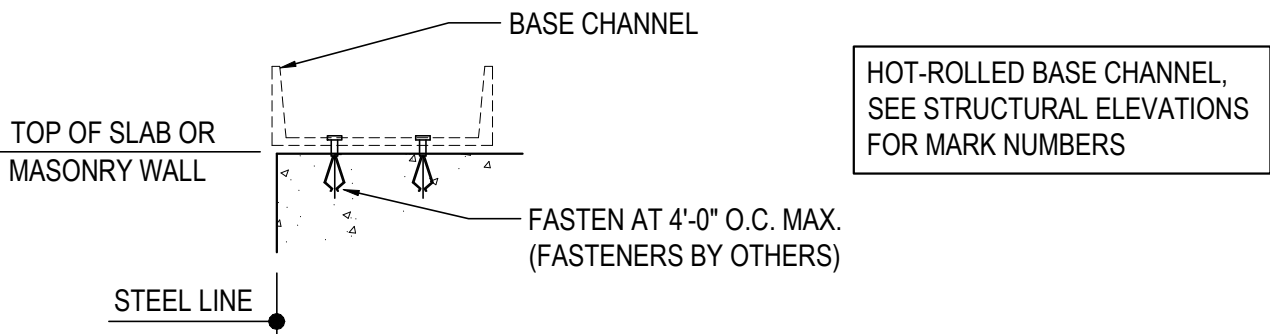
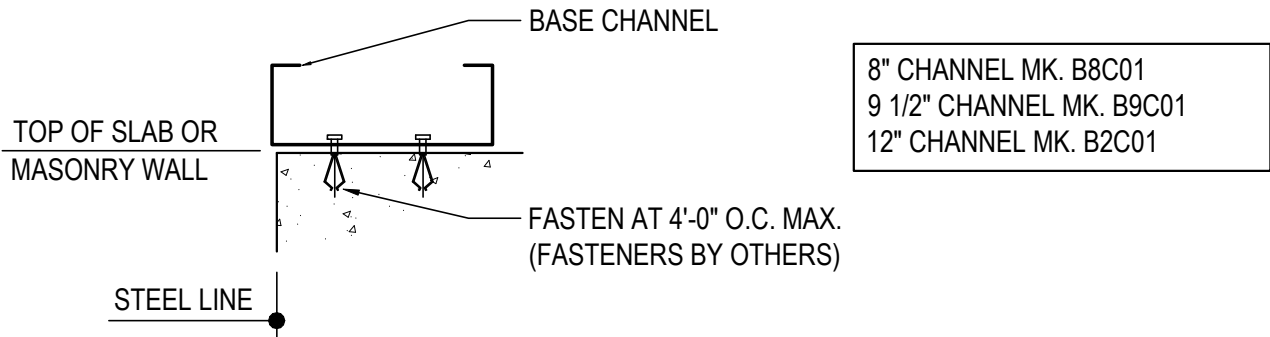
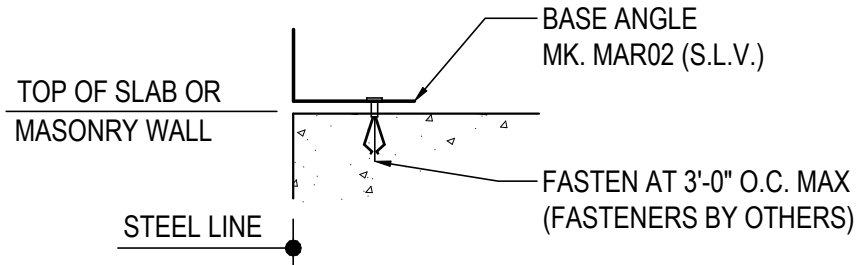
C00020

Detailer Notes:

- 1) THIS DETAIL IS TO BE USED ON ALL INSULATED METAL PANEL PROJECTS. IT COULD BE USED IN STANDARD WALL PANEL APPLICATIONS AS WELL IF NEEDED.

C00040 - BASE MEMBER DETAIL

[Download the DWG file by clicking here.](#)



BASE MEMBER DETAIL

WALL BY OTHERS

C00040

Detailer Notes:

- 1) N/A